



WILLIAMS
CHEMICAL METERING PUMPS

MK-XII CONTROLLER REPAIR KITS

REPAIR KIT NO. OS72

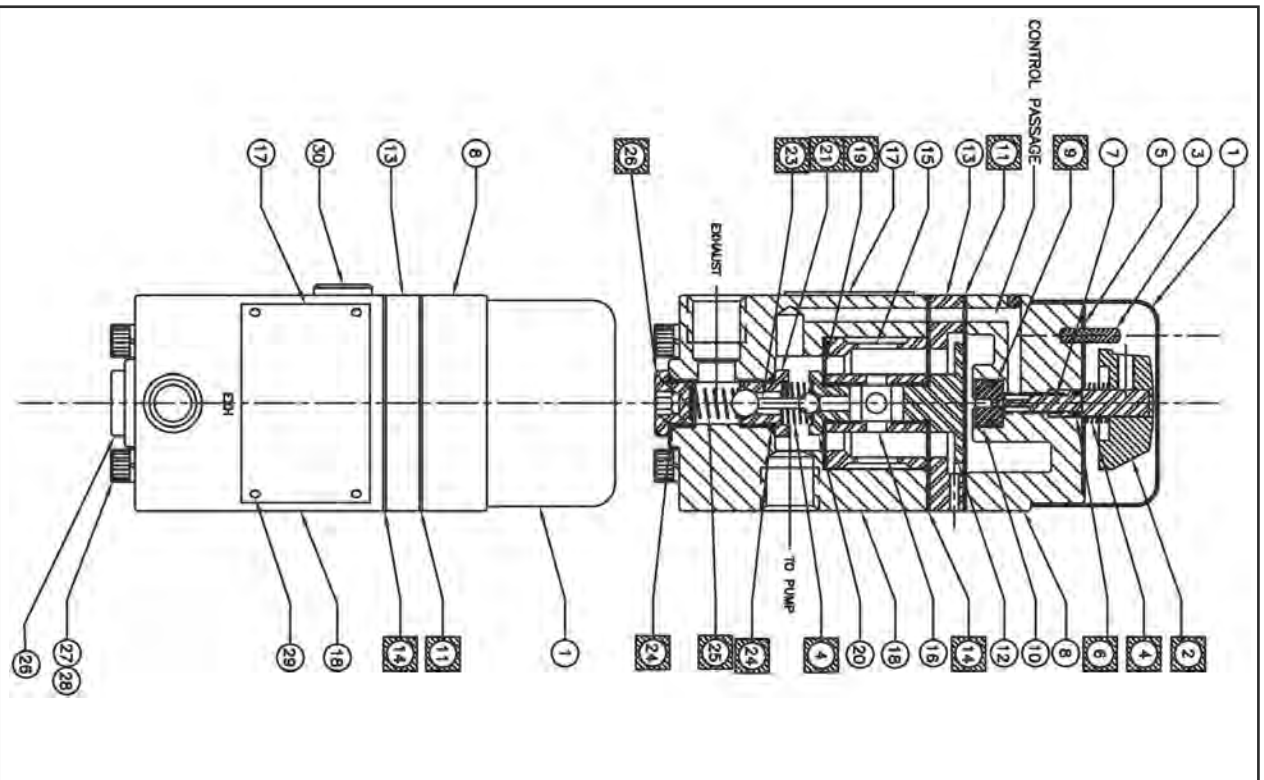
PART NUMBER	DESCRIPTION	QUANTITY
V-006	Valve Stem O-Ring - Fluorcarbon (FKM)	1
V-011	Valve Seat O-Ring - Fluorcarbon (FKM)	1
V-012	Bottom Plug & Lower Seat O-Ring - Fluorcarbon (FKM)	2
OS102408-N	Upper Diaphragm - Polychloroprene (CR)	1
OS102411-N	Middle Diaphragm - Polychloroprene (CR)	1
OS102414-N	Lower Diaphragm - Polychloroprene (CR)	1
OS102416	Upper Spring	1
OS102418	Lower Spring (30-100 PSIG)	1
OS31	Stroke Rate Knob	1
OS102416	Spring — Stroke Rate Knob	1
OS112	Pilot Plug	1
OS202417	Lower Seat	1
OS202415	Upper Seat	1

Replaces same of Doc# 31043 • Revised 5/2010
Doc# 31043 • Revised 3/2014



WILLIAMS
CHEMICAL METERING PUMPS

MK-XIIA CONTROLLER PARTS LIST



ITEM	DESCRIPTION	NO. REQ'D	MK-XIIA
1	PROTECTIVE CAP	1	OS30
2	STROKE RATE KNOB W/SET SCREW	1	OS31
3	KNOB LIMIT PIN	1	OS43
4	SPRING - STROKE RATE KNOB	1	OS102416
5	STROKE RATE DIAL	1	OS202426
6	VALVE STEM O-RING*	1	V-006
7	VALVE STEM	1	OS33
8	UPPER CONTROLLER BODY	1	OS302407
9	VALVE SEAT O-RING*	1	V-011
10	VALVE SEAT	1	OS86
11	UPPER DIAPHRAGM*	1	OS102408-N
12	TOP DIAPHRAGM STOP	1	OS102410
13	VALVE BODY SPACER	1	OS202409
14	MIDDLE DIAPHRAGM*	1	OS102411-N
15	SPOOL	1	OS202413
16	SPACER	1	OS202412
17	DATA PLATE	1	DP202421
18	CONTROLLER BODY	1	OS302419
19	LOWER DIAPHRAGM*	1	OS102414-N
20	UPPER SEAT	1	OS202415
21	LOWER SEAT	1	OS202417
4	UPPER SPRING	1	OS102416
23	PILOT PLUG	1	OS112
24	BOTTOM PLUG & LOWER SEAT O-RING*	2	V-012
25	LOWER SPRING (90-100 PSI)	1	OS102418
26	BOTTOM PLUG	1	OS202420
27	SCREW 10/32 x 2 1/4" SHCS (STAINLESS STEEL)	4	P39-2
28	LOCK WASHER #10 (STAINLESS STEEL)	4	W10L
29	DATA PLATE DRIVE SCREW (STAINLESS STEEL)	4	S2316D
30	SUPPLY PORT PLUG 1/4" NPT	1	OS600
N/A	REPAIR KIT	1	OS72

REPAIR KITS: The items identified with the symbol are contained in a complete pump repair kit. Controller and relay repair kits must be ordered separately.

* Standard materials of construction are Polychloroprene (CR) diaphragms with Fluorcarbon (FKM) O-rings. Optional Fluorcarbon (FKM) or Nitrile (NBR) materials are available.
** 1/8" NPT pilot plug needed for 3-15 csm, use p/n MK-XIIB (not shown).