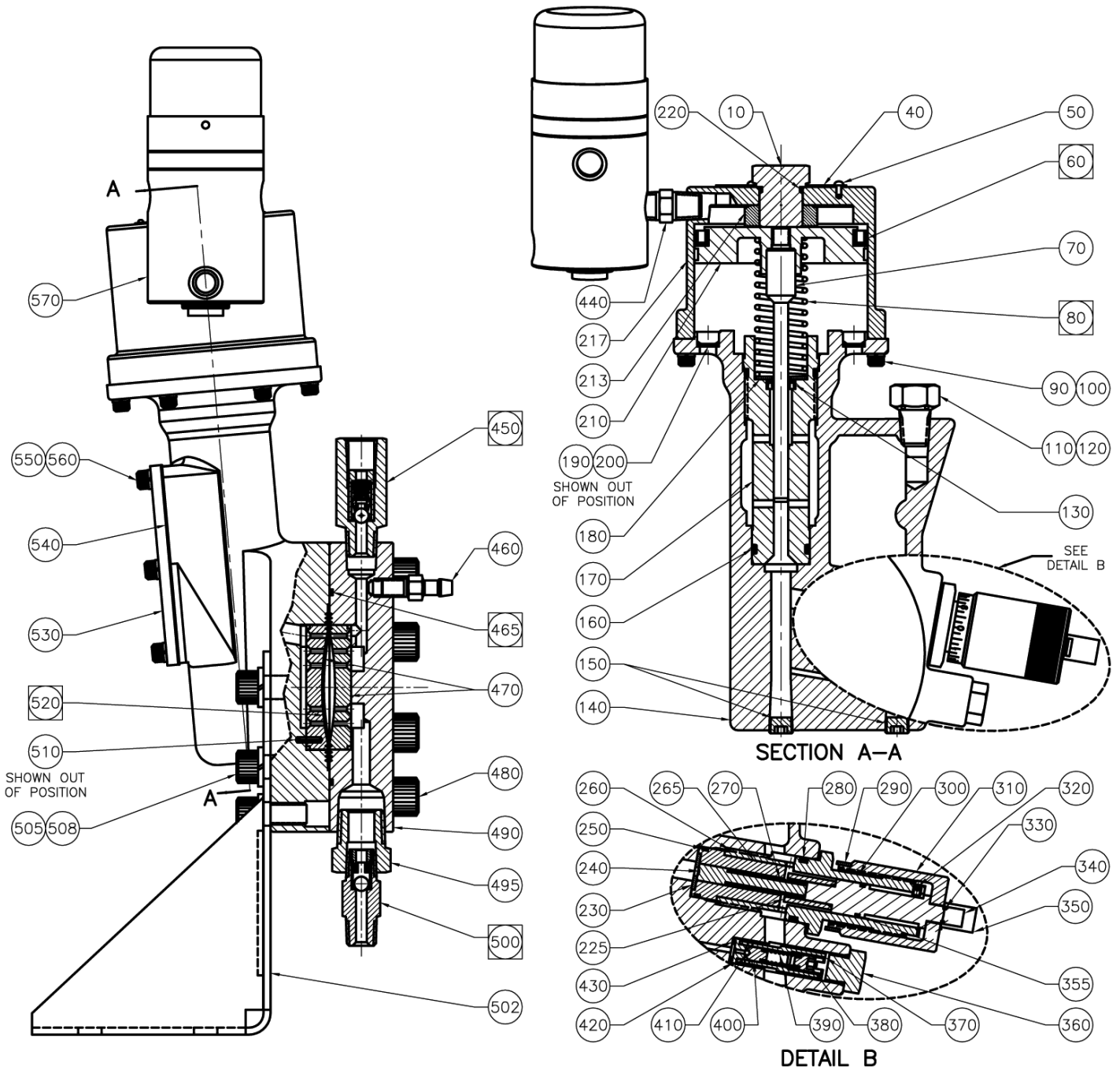


WILROY® SERIES PUMP PARTS LIST



REPAIR KITS: The items identified with the symbol  are contained in a complete pump repair kit. Controller and relay repair kits must be ordered separately.

ITEM	DESCRIPTION	NO REQD	WILROY 250	WILROY 500
10	Adapter-Motor Cylinder-Wilroy	1	20923	20923
20	Soc Set Screw CPT 1/2-20 x 1/2"	1	40716	40716
30	Screw, Motor Cyl Stroke Adj	1	20911	20911
40	Dataplate-Wilroy	1	DP202624	DP202624
50	Pkdrscrew Tyusiz 2" x 3/16" Stl	3	4050067021	4050067021
60	Piston U-Cup-Buna N Std.	1	MC300-02BR	MC300-02BR
70	Plunger - 17-4 SS	1	PR202127-01	PR202127-01
80	Piston Return Spring	1	MC102122	MC102122
90	Screw, 8-32 x 1/2" Shcs, SS	6	A83212SHCS	A83212SHCS
100	Washer, Split Lock #8, SS	6	W8L	W8L
110	Plug 1/4" NPT Sq Hd Galvanized	1	4020009111	4020009111
120	Breather Cap 1/4" NPT	1	40672	40672
130	Seal, TC	1	TC202353	TC202354
140	Housing - Wilroy	1	20908	20908
150	Plug • 1/8" NPT, Soc Hd	3	0S601	0S601
160	O-Ring 2-117 Buna N, 90 Dur	1	40662	40662
170	Bore Cartridge - WRA	1	40701	40700
180	Washer, 316 SS	1	40690	40675
190	Filter-SS - 60 Micron	4	MC102360	MC102360
200	Retainer - Filter, SS	4	MC102150	MC102150
210	Piston - 300 Diameter	1	PS302170	PS302170
213	Hex Thin Nut 3/4-16 18-8 SS	1	40715	40715
217	Motor Cylinder - 300	1	MC202169	MC202169
220	O-Ring - Buna-N	1	BR-016	BR-016
225	Sleeve 1/4" Stroke Adjuster	1	21041	N/A
230	Washer, Steel	1	40685	40666
240	Piston - Stroke Adjuster	1	20933	20927
250	O-Ring 2-018, Buna N, 90 Dur	1	40663	40663
260	Body - Stroke Adjuster	1	21024	21024
270	Spring Lee LC-063G-12 MW	1	40699	40665
280	O-Ring 2-119 Viton A	1	4080068095	4080068095
290	Cal Ring Control Knob PVC	1	2530024071	2530024071
300	% Capacity Plate Aluminum	1	2530015062	2530015062
310	Control Knob - Stroke Adjuster	1	20926	20928
320	Set Screw, 6-32 x 5/16" Lg, SS	1	4050039045	4050039045
330	Clip 1 /4" E-Ring External	1	4040124096	4040124096
340	Control Rod, Stroke Adjuster	1	20928	20928
350	Locking Knob	1	21162	21162
355	O-Ring 2-013 Viton 70 Duro	1	40430	40430
360	Plug, Hex & O-Ring 1/2-20 SS	1	40668	40668
370	Sleeve, Relief Valve	1	20930	20930
380	Adjustment Screw, Relief Valve	1	20934	20934
390	Spring Lee LC-040C-10 MW	1	40670	40670
400	Ball Holder, Relief Valve	1	40687	40687
410	Ball-.0833" dia., RC62-66,Chrmstl	1	40317	40317
420	Relief Seat Steel XT	1	20348	20348
430	O-Ring 2-009 Buna N	1	40313	40313
450	Check Valve-Discharge 1/4" FNPT	1	CV202265	CV202265
460	Bleeder Plug	1	BV202139	BV202139
470	Contour Plate, Wilroy	2	20935	20935
480	Screw 7/17-14" x1.75" XYLAN BLK Alloy St	8	55562	55562
490	Faceplate, Wilroy	1	20936	20936
495	Reducer Bushing	1	40732	N/A
500	Check Valve-Inlet, cv8	1	20910	CV202294
502	Base - Wilroy	1	40706	40706
505	Screw 3/8-16 x 3/4" SHCS, 18-8 SS	3	40710	40710
508	Spring Lock Washer 3/8" 18.B SS	3	4040041022	4040041022
510	Spring Pin,3/32" x 3/8" Lg, 420 SS	2	40315	40315
520	Diaphragm Gylon .040	1	20407	20407
530	Cover, Housing - Wilroy	1	40674	40674
540	Gasket, Reservoir - Wilroy	1	40718	40718
550	10-24 x 1/2" SHCS; SS	8	A 103212SHCS	A 103212SHCS
560	Washer #10, SS Split Lock	8	W10L	W10L

WILROY® SERIES PUMP REPAIR KITS

REPAIR KIT NO. - RKWRA1250

Item	Description	Qty	Part Number
N/A	1 OZ. SILICONE GREASE	1	G321M1
N/A	O-RING 014 VITON	1	V-014
60	PISTON U-CUP 3" BUNA N	1	MC300-02BR
80	PISTON RETURN SPRING	1	MC102122
130	SEAL 1/4" UHMW	1	PE202272
160	O-RING 2-117 BUNA N, 90 DUR	1	40662
220	O-RING/BUNA-N	1	BR-016
250	O-RING 2-018, BUNA N, 90 DUR	1	40663
280	O-RING 2-119 VITON A	1	4080068095
355	O-RING 2-013 VITON	1	40430
430	O-RING,2-009,NITRILE,90 DURO	1	40313
450	CHECK VALVE ASSY./DISCHARGE	1	CV202265
465	O-RING 2-042, NITRILE, 70 DUR	1	40673
500	CHECK VALVE-SUCTION 1/4 MNPT	1	CV202270
520	DIAPH GYL MROY XT/WRA 2.84 DIA	1	20407
540	GASKET, RESERVOIR - WILROY	1	40718

REPAIR KIT NO. - RKWRA1500

Item	Description	Qty	Part Number
N/A	1 OZ. SILICONE GREASE	1	G321M1
N/A	O-RING 014 VITON	1	V-014
60	PISTON U-CUP 3" BUNA N	1	MC300-02BR
80	PISTON RETURN SPRING	1	MC102122
130	SEAL 1/2" UHMW	1	PE202271
160	O-RING 2-117 BUNA N, 90 DUR	1	40662
220	O-RING/BUNA-N	1	BR-016
250	O-RING 2-018, BUNA N, 90 DUR	1	40663
280	O-RING 2-119 VITON A	1	4080068095
355	O-RING 2-013 VITON	1	40430
430	O-RING,2-009,NITRILE,90 DURO	1	40313
450	CHECK VALVE ASSY./DISCHARGE	1	CV202265
465	O-RING 2-042, NITRILE, 70 DUR	1	40673
500	CHECK VALVE ASSY	1	CV202294
520	DIAPH GYL MROY XT/WRA 2.84 DIA	1	20407
540	GASKET, RESERVOIR - WILROY	1	40718

REPAIR KIT NO. - RKWRA1250LD LEAK DETECTION

ITEM	DESCRIPTION	QTY	PART NUMBER
60	PISTON U-CUP 3" BUNA N	1	MC300-02BR
80	PISTON RETURN SPRING	1	MC102122
450	CHECK VALVE ASSY./DISCHARGE	1	CV202265
N/A	O-RING 2-041 VITON	1	4080109385
465	O-RING 2-042, NITRILE, 70 DUR	1	40673
520	DIAPHRAGM XT- GYLON .030 THK	2	40741
500	CHECK VALVE-1/4NPT SUCTION	1	20910
N/A	1 OZ. SILICONE GREASE	1	G321M1

REPAIR KIT NO. - RKWRA 1500LD LEAK DETECTION

ITEM	DESCRIPTION	QTY	PART NUMBER
60	PISTON U-CUP 3" BUNA N	1	MC300-02BR
80	PISTON RETURN SPRING	1	MC102122
450	CHECK VALVE ASSY./DISCHARGE	1	CV202265
N/A	O-RING 2-042 NITRILE, 70 DUR	1	40673
500	CHECK VALVE ASSY SUCTION	1	CV202294
520	DIAPHRAGM XT- GYLON .030 THK	2	40741
N/A	INTERMEDIATE RING -B- XT11	2	21031
N/A	INTERMEDIATE RING -A- XT11	2	21029
N/A	O-RING 2-041 VITON	1	4080109385
N/A	1 OZ. SILICONE GREASE	1	G321M1

CONVERSION KIT NO. - CKWRA 1250 (from 500 to 250)

ITEM	DESCRIPTION	QTY	PART NUMBER
60	PISTON U-CUP-BUNA N STD.	1	MC300-02BR
70	PLUNBER 17.4 SS	1	PR202127-01
130	SEAL - LOW PRESSURE	1	TC202353
160	O-RING BUNA N. 90 DUR	1	40662
170	BORE CARTRIDGE	1	40701
180	WASHER - 316 XX	2	40690
210	PISTON - DIAMETER 300	2	PS302170
225	SLEEVE, 1/4" STROKE ADJUSTER	2	21041
230	WASHER - STEEL	1	40685
240	PISTON - STROKE ADJUSTER	1	20933
250	O-RING - BUNA N. 90 DUR	1	40663
260	BODY - STROKE ADJUSTER	1	21024
265	BORE INSERT, 1/4" STROKE ADJUSTER	1	21026
270	SPRING - STROKE ADJUSTER	1	40699
280	O-RING - VITON A	1	04080068095
290	CAL RING CONTROL KNOB - PVC	1	02530024071
300	% CAPACITY PLATE - ALUMINUM	1	02530015062
320	SET SCREW - 6-32 X 3/16" LG. SS	1	4050039045
330	CLIP - 1/4" E-RING EXTERNAL	1	04040124096
340	CONTROL ROD - STROKE ADJUSTER	1	20928
350	LOCKING KNOB	1	21162
355	O-RING - VITON, 70 DUR	1	40430
495	REDUCER BUSHING	1	40732
500	REDUCER BUSHING	1	20910
N/A	SILICONE GREASE, 1 OZ.	1	G321M1

CONVERSION KIT NO. - CKWRA 1500 (from 250 to 500)

ITEM	DESCRIPTION	QTY	PART NUMBER
60	PISTON U-CUP-BUNA N STD.	1	MC300-02BR
70	PLUNBER 17.4 SS	1	PR202127-01
130	SEAL - LOW PRESSURE	1	TC202353
160	O-RING BUNA N. 90 DUR	1	40662
170	BORE CARTRIDGE	1	40700
180	WASHER - 316 XX	1	40675
210	PISTON - DIAMETER 300	1	PS302170
230	WASHER - STEEL	1	40666
240	PISTON - STROKE ADJUSTER	1	20927
250	O-RING - BUNA N. 90 DUR	1	40663
260	BODY - STROKE ADJUSTER	1	21024
265	BORE INSERT, 1/2" STROKE ADJUSTER	1	21025
270	SPRING - STROKE ADJUSTER	1	40665
280	O-RING - VITON A	1	04080068095
290	CAL RING CONTROL KNOB - PVC	1	02530024071
300	% CAPACITY PLATE - ALUMINUM	1	02530015062
320	SET SCREW - 6-32 X 3/16" LG. SS	1	4050039045
330	CLIP - 1/4" E-RING EXTERNAL	1	04040124096
340	CONTROL ROD - STROKE ADJUSTER	1	20928
350	LOCKING KNOB	1	21162
355	O-RING - VITON, 70 DUR	1	40430
500	CHECK VALVE - INLET	1	CV202294
N/A	SILICONE GREASE, 1 OZ.	1	G321M1