



WILLIAMS
MILTON ROY

RELAY REPAIR KITS

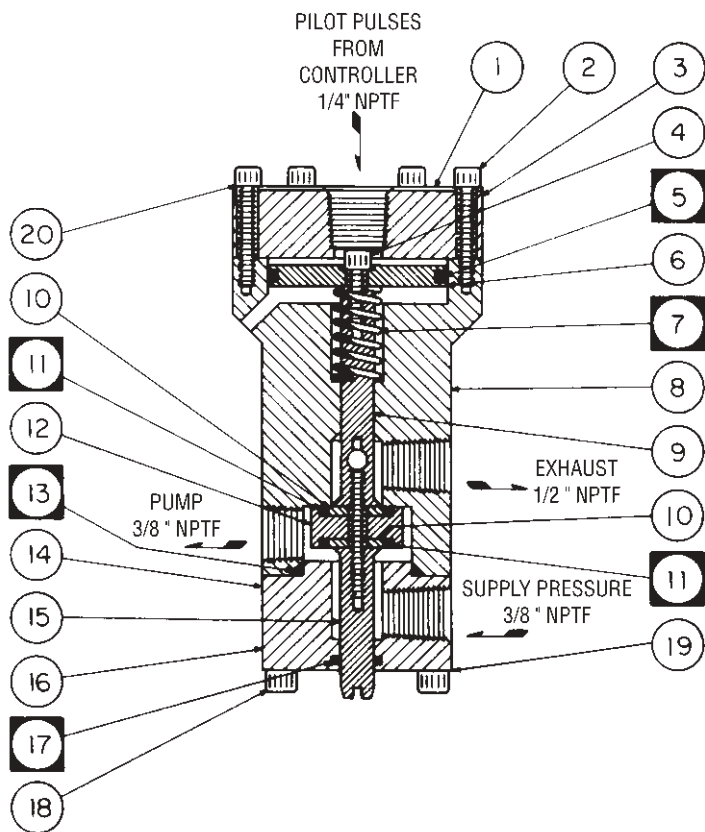
REPAIR KIT NO. - PO3-6K*

PART NUMBER	DESCRIPTION	QUANTITY
BR-011	Poppet Stem O-Ring Buna N	1
BR-022	Body Seal O-Ring Buna N	1
BR-029	Piston O-Ring Buna N	1
PO3-4/8	Spring	1
V-112	Poppet O-Ring Viton®	2

* Note: This kit also compatible with PO3-4S, PO3-4A and PO3-6A relays.

Doc# 31056 • Rev 8/04

PO3-6S RELAY PARTS LIST



ITEM	DESCRIPTION	NO. REQ.D	PO3-6S
1	DATA PLATE	1	DP202356
2	TOP CAP SCREWS	6	PO3-4/2
3	TOP CAP	1	PO3-4/3S
4	PISTON LOCK SCREW	1	PO3-4/6
5	PISTON O-RING/BUNA N STD.	1	BR-029
6	PISTON	1	PO3-4/4
7	SPRING	1	PO3-4/8
8	UPPER BODY SECTION	1	PO302309
9	UPPER POPPET STEM	1	PO3-4/7
10	POPPET O-RING RETAINER	2	PO3-4/13
11	POPPET O-RING/VITON STD.	2	V-112
12	POPPET BODY	1	PO3-4/11
13	BODY SEAL O-RING/BUNA N STD.	1	BR-022
14	POPPET STEM CONNECTOR BOLT	1	PO3-4/10
15	LOWER POPPET STEM	1	PO3-4/17
16	LOWER BODY SECTION	1	PO102306
17	POPPET STEM O-RING/BUNA N STD.	1	BR-011
18	BOTTOM CAP SCREW	4	A1032114SHCS
19	WASHER LOCK #10 STAINLESS STEEL	4	W10L
20	WASHER LOCK #8 STAINLESS STEEL	6	W8L

STANDARD CONTROLLER-RELAY-PUMP COMBINATIONS

PUMP	RELAY	CONTROLLER
CRP500V&W400	PO3-6S	MK-XII
CRP500X&D400	PO3-6S	MKII or VII
CRP750X400	PO3-6S	MKII or VII
CRP1000V&W400	PO3-6S	MK-XII
CRP1000V&W600	PO3-6S	MK-XII
CRP1500W400	PO4-6S	MK-XII
CRP1500W600	PO4-6S	MK-XII
CRP1500W800	PO4-6S	MK-XII
CRP2250W600S	PO4-6S	MK-XII
CRP2250W600L	PO4-6S	MK-XII
CRP2250W800S	PO4-8S	MK-XII
CRP2250W800L	PO4-8S	MK-XII

NOTES:

When using a relay it is recommended to use a pressure regulator (PCV) for the "Oscillimatic" controller and another PCV for the relay.

The pressure supply to the "Oscillimatic" controller should be set at a minimum pressure of 35 PSI.

The pressure supply to the relay should be a minimum of 50 PSI to a maximum of 150 PSI, depending on the required discharge pressure. See individual pump specifications for specific amplification ratios.

During maximum input pressures, the exhaust mode noise level may become excessive. Muffler model no. RM-4 may be used in the exhaust port.

REPAIR KITS: The items identified with the symbol  are contained in a complete repair kit.

NOTES:
Use above relays as pump model dictates.