



WILLIAMS
MILTON ROY

**LD200-316 SERIES
PUMP REPAIR KITS**

DIAPHRAGM KIT NO. - DKLD200-TFE

PART NUMBER	DESCRIPTION	QUANTITY
LD201171	Diaphragm (Teflon)	1
LD101247	Faceplate O-Ring (Teflon Coated)	1
V-145	Backplate O-Ring (Viton®)	1

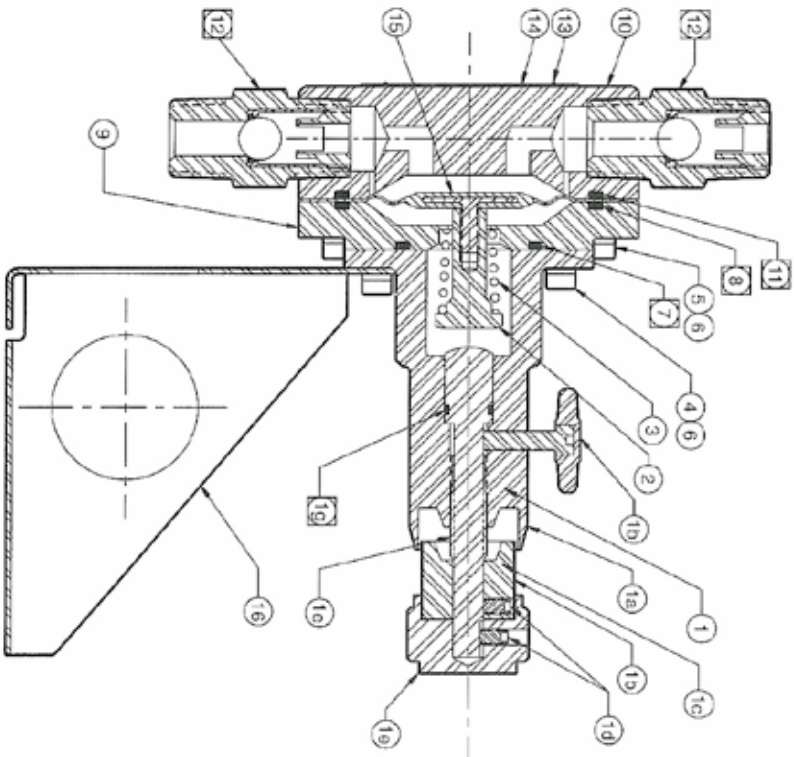
REPAIR KIT NO. - RKLD200-316-TFE

PART NUMBER	DESCRIPTION	QUANTITY
LD201171	Diaphragm (Teflon)	1
LD101235	Return Spring - Diaphragm	1
LD101247	Faceplate O-Ring (Teflon Coated)	1
V-145	Backplate O-Ring (Viton®)	1
V-125	Spring Chamber O-Ring (Viton®)	1
V-012	O-Ring - Stroke Adjuster Stem (Viton®)	1
CV202294	Suction/Discharge Check Valve (316 SS)	2

NOTES:

Controller and relay repair kits must be ordered separately.

LD200-316 SERIES PUMP PARTS LIST




ITEM	DESCRIPTION	NO REQ'D	LD 200-316-TFE
1	Stroke Adjuster Assembly	1	SA-LD200-SS
1a	Spring Chamber - Stroke Adjuster Barrel	1	LD301230
1b	Scale	1	DP301250
1c	Cylinder	1	LD201239
1d	Set Screw 10-32 x 1/4"	2	A103214SS
1e	Knob	1	LD201241
1f	Stem	1	LD201236
1g	O-Ring (Viton®)	1	V-012
1h	Thumb Screw - Stroke Adjuster Lock	1	MC102338
2	Spring Retainer	1	LD201234
3	Return Spring	1	LD101235
4	Back Plate Socket Head Cap Screw 10-32 x 1/2" (SS)	6	A103212SHCS
5	Face Plate Socket Head Cap Screw 10-32 x 1" (SS)	6	A1232100SHCS
6	Washer Flat #10 (SS)	12	W10L
7	Spring Chamber O-Ring (Viton®)	1	V-125
8	Back Plate O-Ring (Viton®)	1	V-145
9	Back Plate	1	LD201246
10	Face Plate	1	LD301245
11	Face Plate O-Ring (Teflon Coated)	1	LD101247
12	Suction/Discharge Check Valve	2	CV202294
12a	Discharge Check Valve Body (316 SS)	1	CV202295
12b	Retainer (316 SS)	1	CV202297
12c	Ball - 7/16" (316 SS)	1	CV1102313
12d	O-Ring (Teflon)	1	T-012
12e	Sleeve	1	CV202296
13	Drive Screw - Data Plate	4	S2316D
14	Data Plate	1	DP201248
15	Diaphragm (Teflon)	1	LD201171
16	Mounting Bracket	1	LD301231
17	Nipple Connector 1/4" NPT x 2" (Not Shown)	1	NC-4-2S
N/A	Diaphragm Kit	1	DKLD200-TFE
N/A	Repair Kit	1	RKLD200-316-TFE

IMPORTANT: Diaphragm pumps must be installed in a vertical position. Suction and discharge check valves are unloaded (no spring). Consequently, in order to work they must be mounted vertically.

Supply pressure to the pump must be a minimum of 35 PSI.

Maximum supply pressure to the LD200-316 is 150 PSI.

REPAIR KITS: The items identified with the symbol  are contained in a complete pump repair kit. Controller and relay repair kits must be ordered separately.